

BS300 SPECTO BACKSTOP SYSTEM DETAILS

SPECTO MESH PANEL SELECTIONS

HEIGHT: 7' OR 8'. 8' TYPICAL.
FENCE MESH COLOR: BLACK, GREEN, BLUE
DEMARCATION: BLACK, BLUE, GREEN, RED, YELLOW, ORANGE, WHITE/CREAM
END POLE PAD: RED, ORANGE, YELLOW, BLACK, WHITE
TRIMMER BARRIER: YES/NO

30' H X 90' W BACKSTOP SHOWN. CUSTOM LAYOUTS & DESIGNS AVAILABLE. CONTACT GRAND SLAM SAFETY W/ FIELD LAYOUT.

STANDARD BLACK POWDER COATED FINISH FOR ALL SUPPORT POLES. CONTACT GRAND SLAM SAFETY FOR OTHER COLOR OPTIONS

END POLE PAD
 3" CLOSED CELL FOAM
 18 OZ VINYL SLEEVE W/
 9 OZ MESH COVER

SUPPORT POLE
 6-5/8" OD
 6" SCH. 40
 STEEL

INTERMEDIATE POLE
 2-3/8" OD
 2" SCH. 40
 STEEL

BLACK #36 1-3/4" SQUARE KNOTTED NYLON NETTING. OTHER NETTING OPTIONS AVAILABLE: CONTACT MANUFACTURER

7" TOP DEMARCATION

30'-0"

TYPICAL HEIGHT
 CUSTOM OPTIONS
 AVAILABLE

8'-0"

FULLY IMPACTABLE
 BOTTOM SECTION
 6.5 OZ SPECTO MESH
 VINYL COATED POLYESTER
 FABRIC

SHACKLE PAD
 1/2" CLOSED CELL FOAM
 18 OZ VINYL COVER

PANEL CONNECTIONS
 2" HOOK AND LOOP

OPTIONAL: 6" 18OZ VINYL
 TRIMMER BARRIER
 -RECOMMENDED FOR
 NATURAL GRASS FIELDS

HORIZONTAL TENSION CABLE
 TOP AND BOTTOM
 1/2" OD HDPE UV STABILIZED TUBE
 OVER 3/16" STAINLESS CABLE

THIS PRINT IS THE PROPERTY OF GRAND SLAM SAFETY LLC AND MAY NOT BE REPRODUCED WITHOUT WRITTEN PERMISSION

GRAND SLAM SAFETY
 WWW.GRANDSLAMSAFETY.COM
 SPECTO® SPORT FENCING SOLUTIONS
 Grand Slam Safety, LLC - 9793 Bridge Street - Croghan, NY 13327
 Tel: 315-301-4030 Fax: 315-301-4031

B300 SPECTO BACKSTOP SYSTEM DETAIL DRAWINGS

REV: _____

SHEET: 1 OF 6

ATTACHMENT DETAILS

CLAMP-ON PULLEY BRACKET

1/4" 7 X 19 STRAND CORE GALVANIZED WIRE ROPE ASTM1023 1400 LB. CAPACITY SF 5:1. -TWO CAST WIRE ROPE CLAMPS AND ONE THIMBLE ON BOTH ENDS

BACKSTOP SUPPORT POLE

1/4" 7 X 19 STRAND CORE VINYL COATED HIGH STRENGTH GALVANIZED STEEL WIRE ROPE 1400 LB. CAPACITY. -TWO CAST WIRE ROPE CLAMPS AND ONE THIMBLE ON BOTH ENDS

DETAIL H
SCALE 1/20

1/4" 7 X 19 STRAND CORE GALVANIZED WIRE ROPE ASTM1023 1400 LB. CAPACITY SF 5:1. -TWO CAST WIRE ROPE CLAMPS AND ONE THIMBLE ON BOTH ENDS

CLAMP-ON PULLEY BRACKET

BACKSTOP SUPPORT POLE

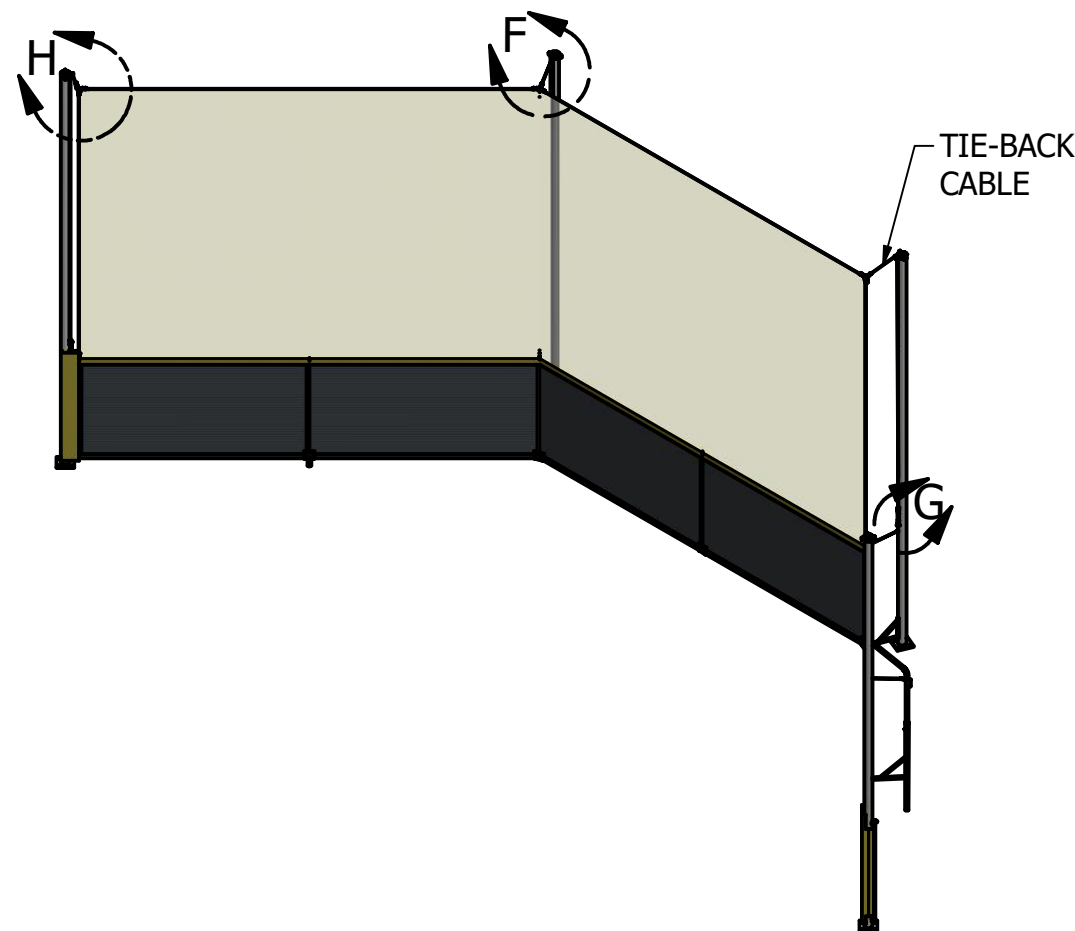
1/4" 7 X 19 STRAND CORE VINYL COATED HIGH STRENGTH GALVANIZED STEEL WIRE ROPE 1400 LB. CAPACITY. -TWO CAST WIRE ROPE CLAMPS AND ONE THIMBLE ON BOTH ENDS

DETAIL F
SCALE 1/20

1/4" 7 X 19 STRAND CORE GALVANIZED WIRE ROPE ASTM1023 1400 LB. CAPACITY SF 5:1. -TWO CAST WIRE ROPE CLAMPS AND ONE THIMBLE ON BOTH ENDS

3/8" GALVANIZED STEEL TURNBUCKLE, EYE TO EYE, 6" ADJUSTMENT, 4000 LB WLL

DETAIL G
SCALE 1/20



THIS PRINT IS THE PROPERTY OF GRAND SLAM SAFETY LLC AND MAY NOT BE REPRODUCED WITHOUT WRITTEN PERMISSION

GRAND SLAM SAFETY
WWW.GRANDSLAMSAFETY.COM

SPECTO® SPORT FENCING SOLUTIONS
Grand Slam Safety, LLC - 9793 Bridge Street - Croghan, NY 13327
Tel: 315-301-4030 Fax: 315-301-4031

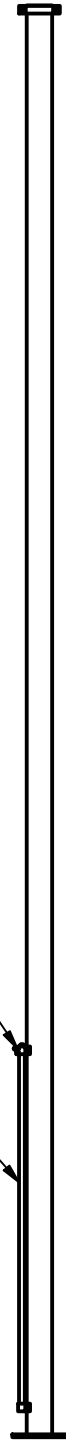
B300 SPECTO BACKSTOP SYSTEM DETAIL DRAWINGS

REV:

SHEET: 2 OF 6

SUPPORT POLE DETAILS

14" X 14" FLANGE
W/ 10" X 10" BOLT
PATTERN FOR
1" ANCHOR BOLTS



BACKSTOP SUPPORT POLE

3-LOBED KNOB
SET SCREWS

END POLE PAD
TENSION ROD
1-1/2" OD

CLAMP-ON
PULLEY
BRACKET

STEEL POLE
6-5/8" OD 6" SCH 40
POWDER COATED

STEEL D-RINGS
FOR CABLE
TERMINATION

FLANGED CONNECTION

HIGH WIND
BREAK AWAY LINK

3/8" TURNBUCKLE
W/ STOP NUTS

CABLE 1/8" STAINLESS
WITH SNAP LINKS

2" CHANNEL LEG

SHACKLE
5/16 CAPTIVE PIN

GROUND CONNECTION
SLEEVED

2-3/8" OD
POWDER COATED
STEEL TUBE

2-7/8" OD
POWDER COATED
TUBE

INTERMEDIATE POLE

B300 SPECTO BACKSTOP SYSTEM DETAIL DRAWINGS
 REV:

THIS PRINT IS THE PROPERTY OF GRAND SLAM SAFETY LLC AND MAY NOT BE REPRODUCED WITHOUT WRITTEN PERMISSION

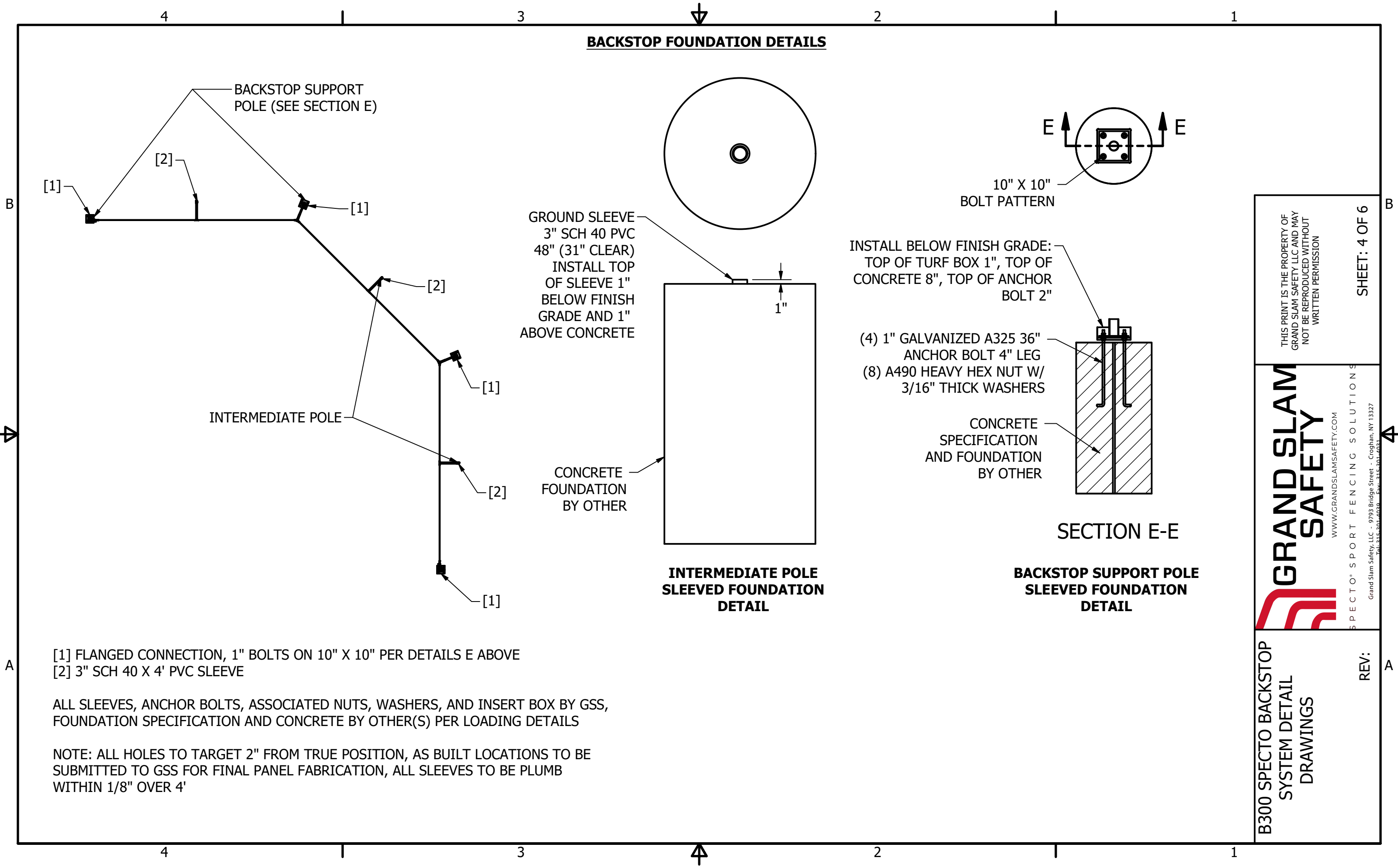
GRAND SLAM SAFETY
WWW.GRANDSLAMSAFETY.COM

SPECTO® SPORT FENCING SOLUTIONS

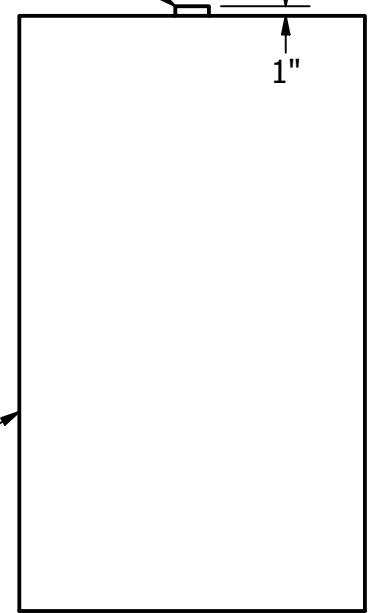
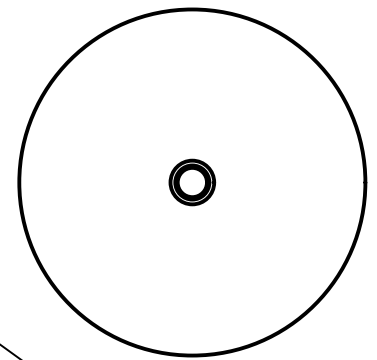
Grand Slam Safety, LLC - 9793 Bridge Street - Croghan, NY 13327
Tel: 315-301-4030 Fax: 315-301-4031

SHEET: 3 OF 6

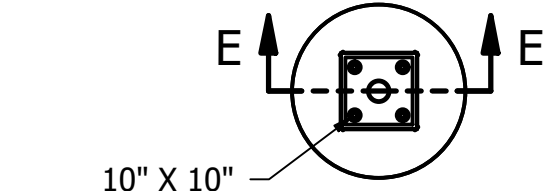
BACKSTOP FOUNDATION DETAILS



GROUND SLEEVE
3" SCH 40 PVC
48" (31" CLEAR)
INSTALL TOP
OF SLEEVE 1"
BELOW FINISH
GRADE AND 1"
ABOVE CONCRETE



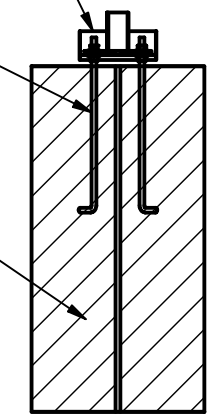
INTERMEDIATE POLE SLEEVED FOUNDATION DETAIL



10" X 10"
BOLT PATTERN

INSTALL BELOW FINISH GRADE:
TOP OF TURF BOX 1", TOP OF
CONCRETE 8", TOP OF ANCHOR
BOLT 2"

(4) 1" GALVANIZED A325 36"
ANCHOR BOLT 4" LEG
(8) A490 HEAVY HEX NUT W/
3/16" THICK WASHERS



CONCRETE
SPECIFICATION
AND FOUNDATION
BY OTHER

SECTION E-E

BACKSTOP SUPPORT POLE SLEEVED FOUNDATION DETAIL

- [1] FLANGED CONNECTION, 1" BOLTS ON 10" X 10" PER DETAILS E ABOVE
- [2] 3" SCH 40 X 4' PVC SLEEVE

ALL SLEEVES, ANCHOR BOLTS, ASSOCIATED NUTS, WASHERS, AND INSERT BOX BY GSS, FOUNDATION SPECIFICATION AND CONCRETE BY OTHER(S) PER LOADING DETAILS

NOTE: ALL HOLES TO TARGET 2" FROM TRUE POSITION, AS BUILT LOCATIONS TO BE SUBMITTED TO GSS FOR FINAL PANEL FABRICATION, ALL SLEEVES TO BE PLUMB WITHIN 1/8" OVER 4'

THIS PRINT IS THE PROPERTY OF
GRAND SLAM SAFETY LLC AND MAY
NOT BE REPRODUCED WITHOUT
WRITTEN PERMISSION

SHEET: 4 OF 6

GRAND SLAM SAFETY
WWW.GRANDSLAMSAFETY.COM
SPECTO® SPORT FENCING SOLUTIONS

Grand Slam Safety, LLC - 9793 Bridge Street - Croghan, NY 13327
Tel: 315-301-4030 Fax: 315-301-4031

B300 SPECTO BACKSTOP
SYSTEM DETAIL
DRAWINGS

REV:

4

3

2

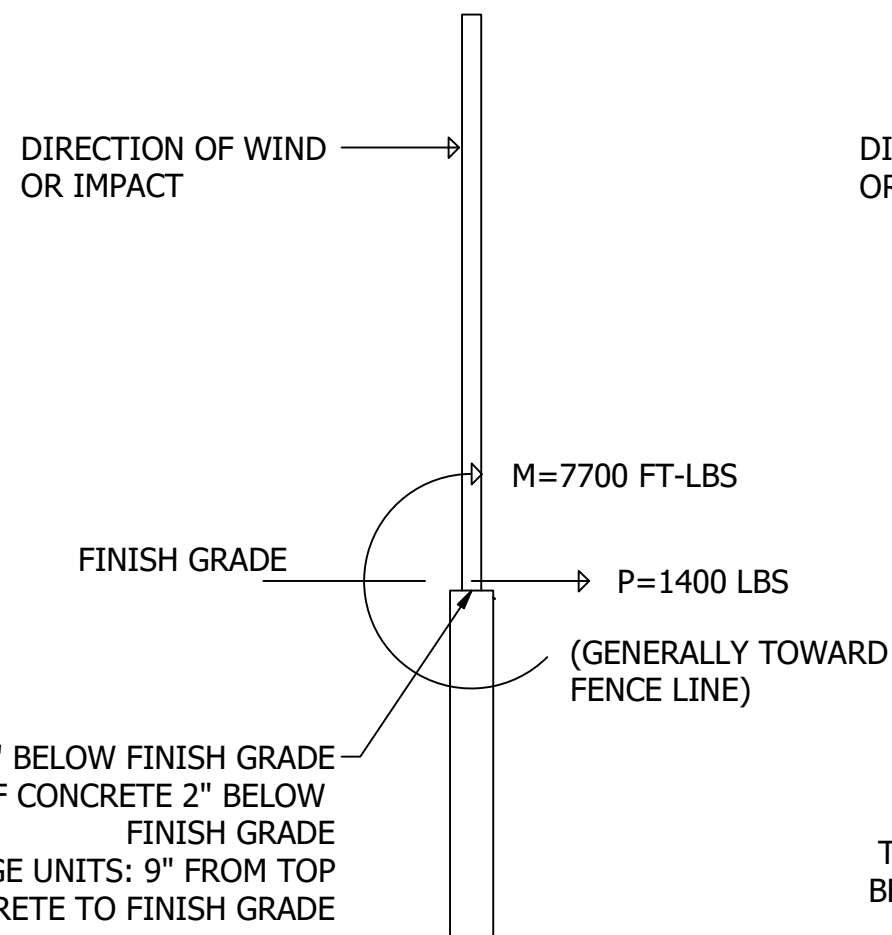
1

BACKSTOP SUPPORT POLE LOADING DIAGRAM

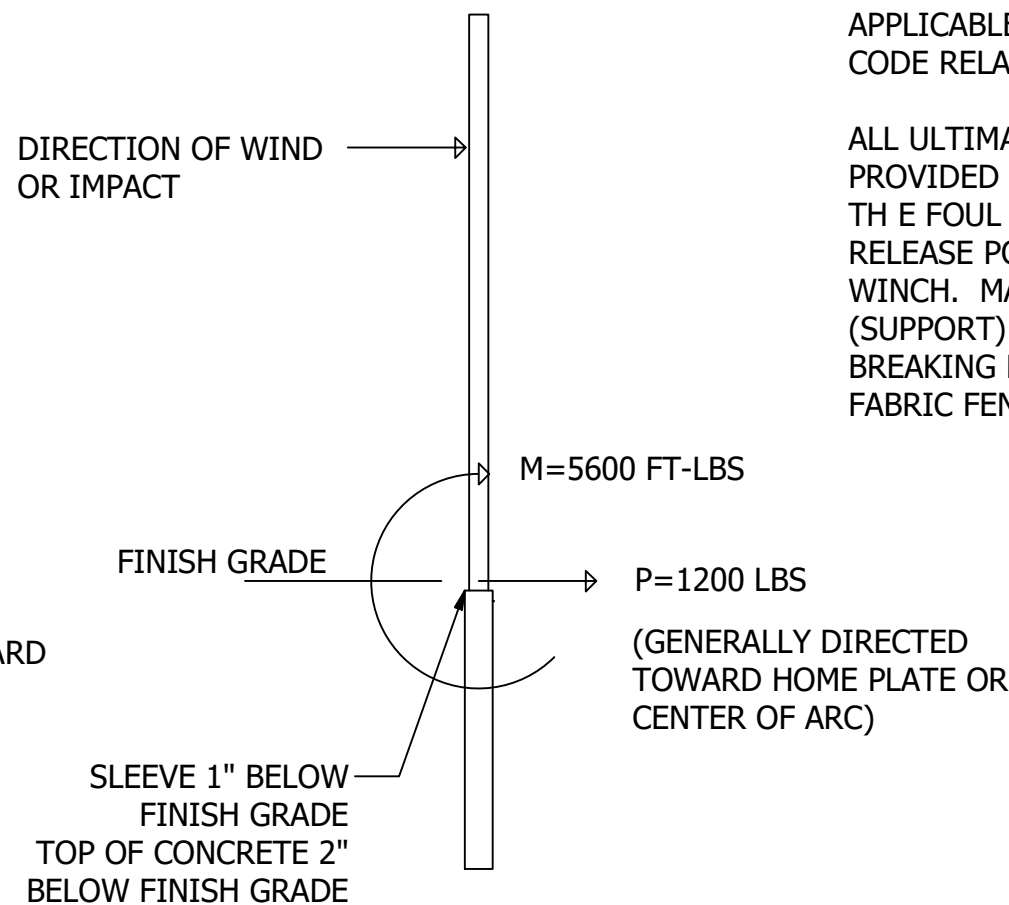
FOUNDATION DESIGN:

GRAND SLAM SAFETY (GSS) IS NOT RESPONSIBLE FOR THE DESIGN, SPECIFICATION, OR WORKMANSHIP OF THE FOUNDATIONS. ANCHOR BOLT AND SLEEVE DETAILS HAVE BEEN PROVIDED ONLY TO SHOW MINIMUM REQUIREMENTS NECESSARY TO ATTACH THE POLES TO THE FOUNDATIONS. IT REMAINS THE OWNER'S, OR THE OWNER'S ENGINEER'S RESPONSIBILITY TO DETERMINE ALLOWABLE SOIL BEARING VALUES; DESIGN, SPECIFY, AND FURNISH THE FOUNDATIONS, ANCHOR BOLTS, AND SLEEVES; CONSIDER ANY SPECIAL LOADING OR CONDITIONS OF THE PROJECT SITE; AND TO INCLUDE ALL APPLICABLE PROVISIONS OF THE APPROPRIATE BUILDING CODE RELATED TO THE DESIGN OF THE FOUNDATIONS.

ALL ULTIMATE LOADING SHOWN IN THIS DETAIL IS PROVIDED IN UNFACTORED FORM. MAXIMUM LOADS AT THE FOUL POLE LOCATIONS ARE LIMITED TO THE RELEASE POINT OF THE SLIP CLUTCH ON THE TENSION WINCH. MAXIMUM LOADS AT THE INTERMEDIATE (SUPPORT) POLE LOCATIONS ARE LIMITED TO THE BREAKING POINT OF THE BREAKAWAY LINK BETWEEN THE FABRIC FENCE CABLE AND THE POLE.



BACKSTOP SUPPORT POLE



INTERMEDIATE POLE

THIS PRINT IS THE PROPERTY OF GRAND SLAM SAFETY LLC AND MAY NOT BE REPRODUCED WITHOUT WRITTEN PERMISSION
GRAND SLAM SAFETY
 WWW.GRANDSLAMSAFETY.COM
 SPECTO® SPORT FENCING SOLUTIONS
 Grand Slam Safety, LLC - 9793 Bridge Street - Croghan, NY 13327
 Tel: 315-301-4030 Fax: 315-301-4031
B300 SPECTO BACKSTOP SYSTEM DETAIL DRAWINGS
 REV:

SHEET: 5 OF 6

4

3

2

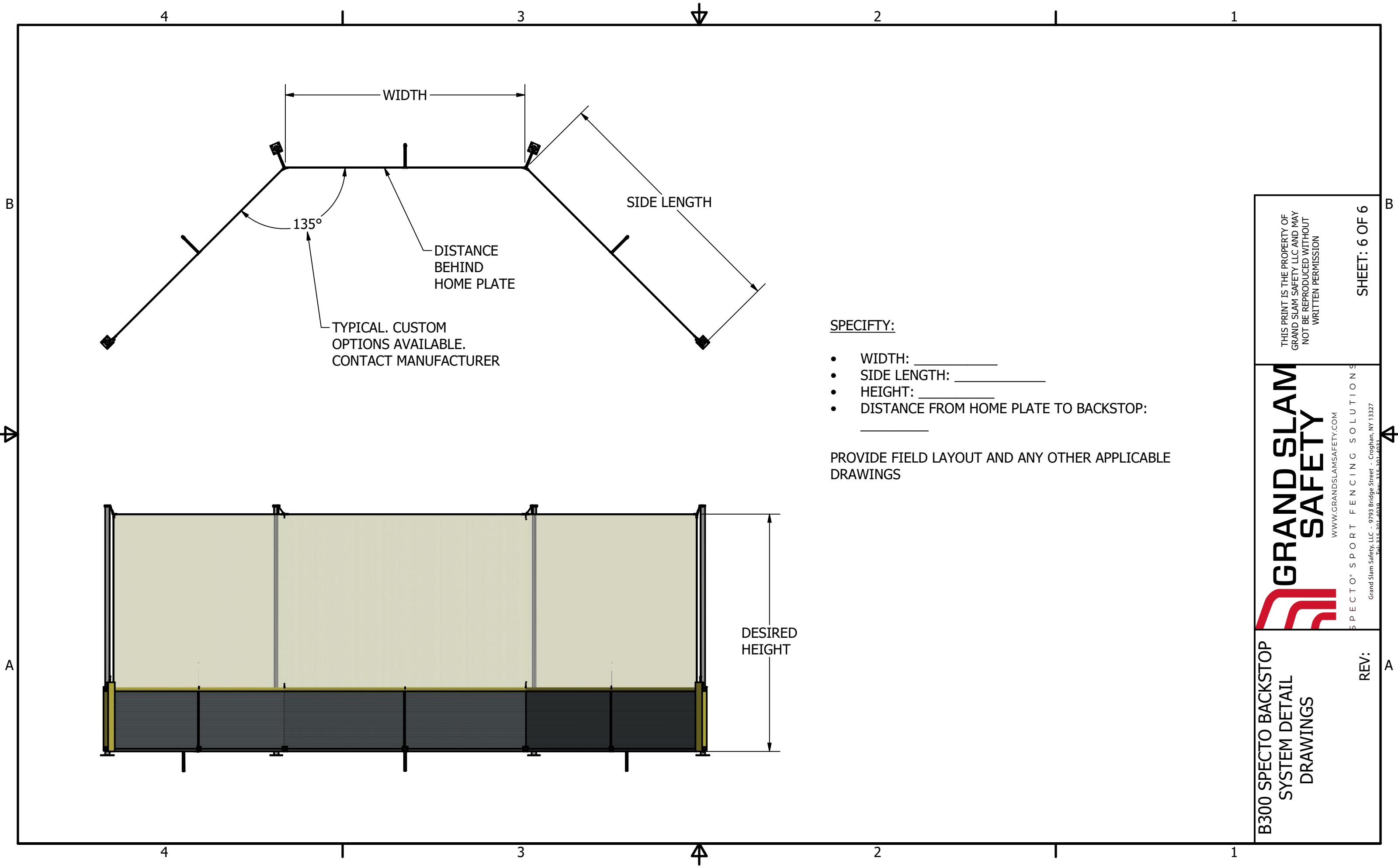
1

B

B

A

A



TYPICAL. CUSTOM
OPTIONS AVAILABLE.
CONTACT MANUFACTURER

SPECIFY:

- WIDTH: _____
- SIDE LENGTH: _____
- HEIGHT: _____
- DISTANCE FROM HOME PLATE TO BACKSTOP: _____

PROVIDE FIELD LAYOUT AND ANY OTHER APPLICABLE DRAWINGS

<p>THIS PRINT IS THE PROPERTY OF GRAND SLAM SAFETY LLC AND MAY NOT BE REPRODUCED WITHOUT WRITTEN PERMISSION</p> <p style="text-align: right;">SHEET: 6 OF 6</p>
<p style="text-align: center;">GRAND SLAM SAFETY</p> <p style="text-align: center;">WWW.GRANDSLAMSAFETY.COM</p> <p style="text-align: center;">SPECTO® SPORT FENCING SOLUTIONS</p> <p style="text-align: center;">Grand Slam Safety, LLC - 9793 Bridge Street - Croghan, NY 13327 Tel: 315-301-4030 Fax: 315-301-4031</p>
<p>B300 SPECTO BACKSTOP SYSTEM DETAIL DRAWINGS</p> <p style="text-align: right;">REV:</p>