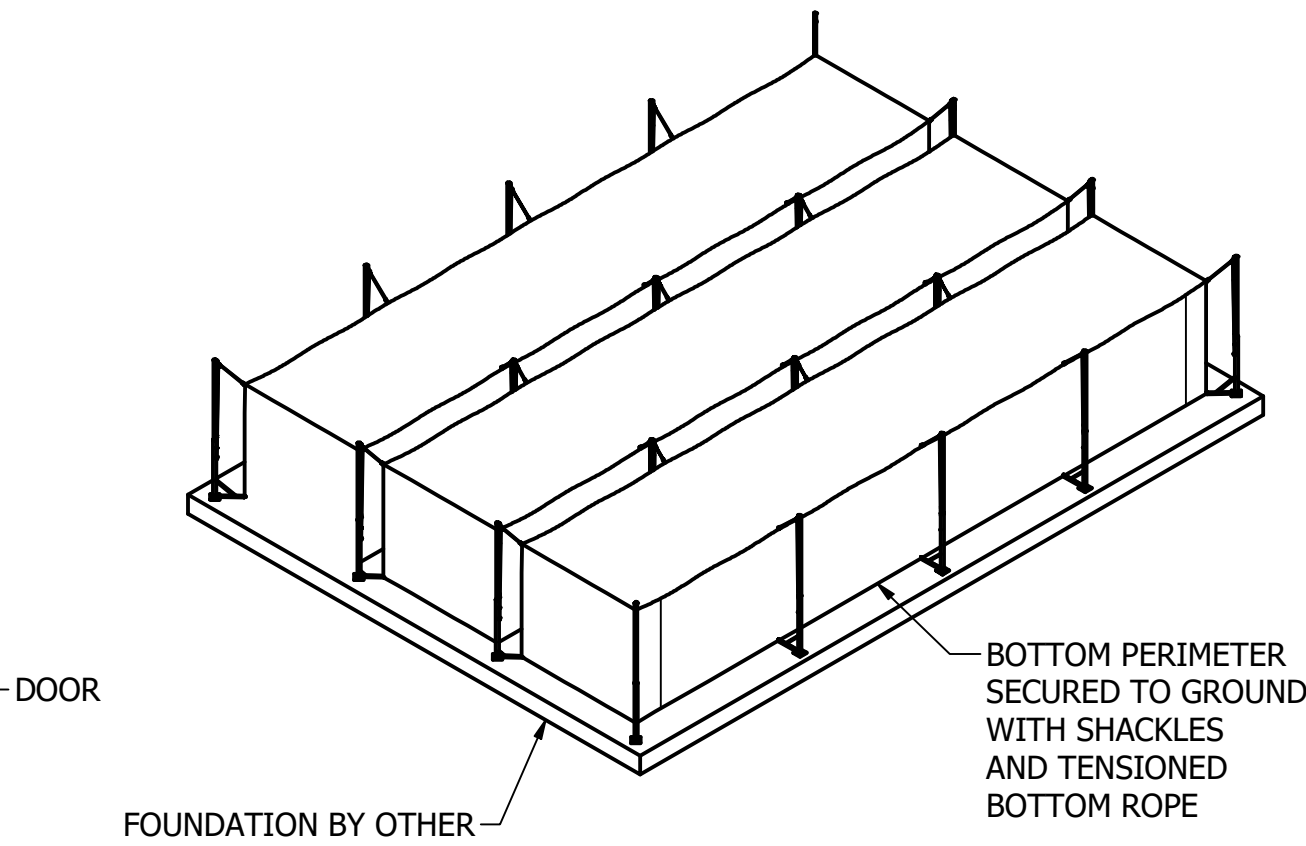
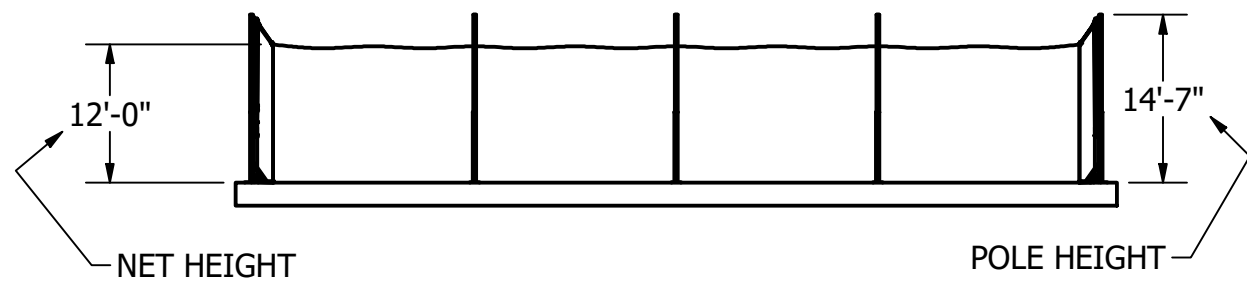
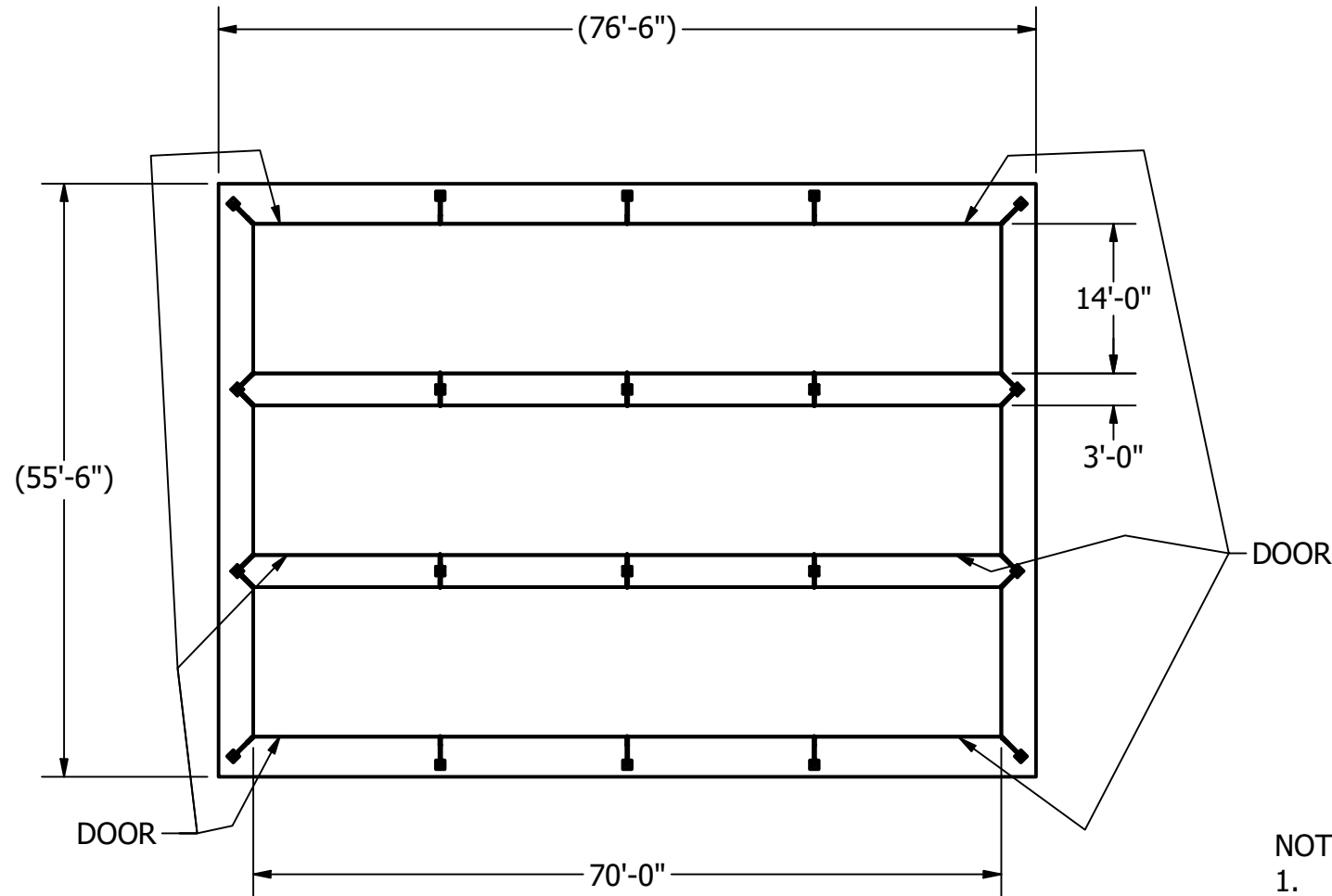


**BC203 TRIPLE 70'L X 14'W X 12'H
POLE SUPPORTED BATTING CAGE SYSTEM**



NOTES:

1. 4' WIDE ENTRY FLAP (OVERLAP) DOOR
2. NETTING 1-3/4 SQ BLACK, SPECIFY MATERIAL BELOW
3. POWDER COATED 3 1/2" BASE POLES, 2-7/8" TOP POLES WITH POLYESTER ROPE FOR TENSIONING NET
4. BOTTOM ROPE TENSIONED AND SECURED TO POLES TO HOLD NET BOTTOM IN POSITION
5. FLANGE ANCHOR BOLTS, (80) 1/2" X 7" HOT DIP GALVANIZED WEDGE ANCHOR BOLTS
6. CONCRETE PAD BY OTHERS, MIN RECOMMENDED SIZE 55'-6" X 76'-6", 5" THICK WITH 1'DP X 3'WD THICKENED PERIMETER AND 1'DP X 3'WD X 3'L AT EACH CENTER POST FOR ANCHOR BOLT.

(PLEASE SPECIFY):

NETTING: #42 HDPE, #42 KNOTTED NYLON, #36 KNOTTED NYLON NETTING

FLANGED OR SLEEVED POLES

CENTER DIVIDER: YES, NO

PITCHING TARGET: YES QTY: ____, NO

SOFT TOSS NET: YES QTY: ____, NO

FLANGED MOUNTED SYSTEM SHOWN, SLEEVED SYSTEM OPTIONAL, PLEASE SPECIFY

THIS PRINT IS THE PROPERTY OF
GRAND SLAM SAFETY LLC AND MAY
NOT BE REPRODUCED WITHOUT
WRITTEN PERMISSION

SHEET: 1 OF 8

**GRAND SLAM
SAFETY**
WWW.GRANDSLAMSAFETY.COM
SPECTO® SPORT FENCING SOLUTIONS

Grand Slam Safety, LLC - 9793 Bridge Street - Croghan, NY 13327
Tel: 315-301-4030 Fax: 315-301-4031

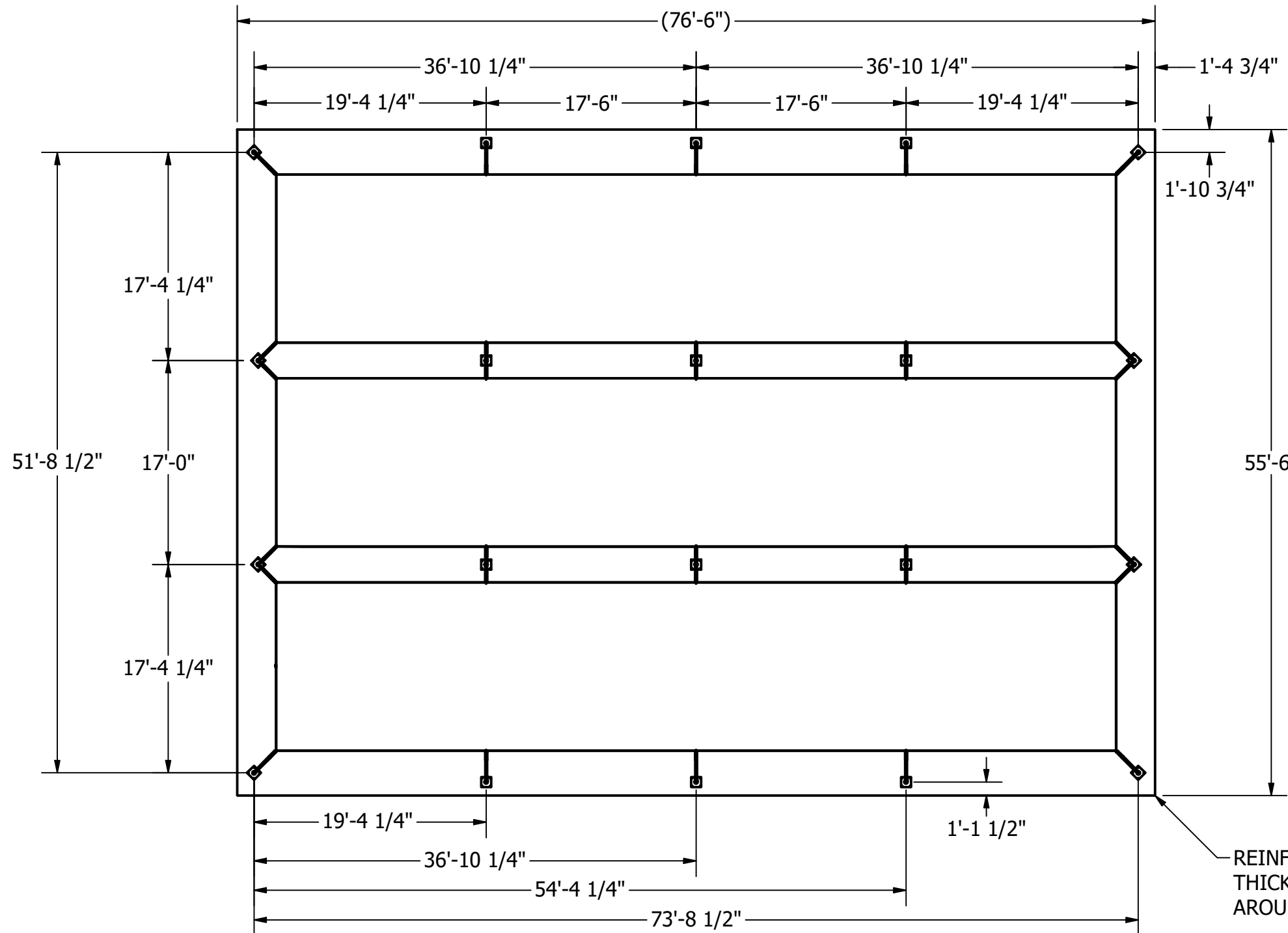
BC203 TRIPLE 70x14x12
BATTING CAGE SYSTEM
DETAILS

REV: A

POLE LAYOUT

NOTES:

1. CENTER ON SLAB PROVIDED BY OTHER
2. DIMENSIONS TO CENTER OF SLEEVES OR FLANGES
3. MAINTAIN MINIMUM 8" EDGE OF SLAB TO EDGE OF FLANGE
4. EMBED ANCHORS MINIMUM 6"



THIS PRINT IS THE PROPERTY OF
GRAND SLAM SAFETY LLC AND MAY
NOT BE REPRODUCED WITHOUT
WRITTEN PERMISSION

SHEET: 2 OF 8



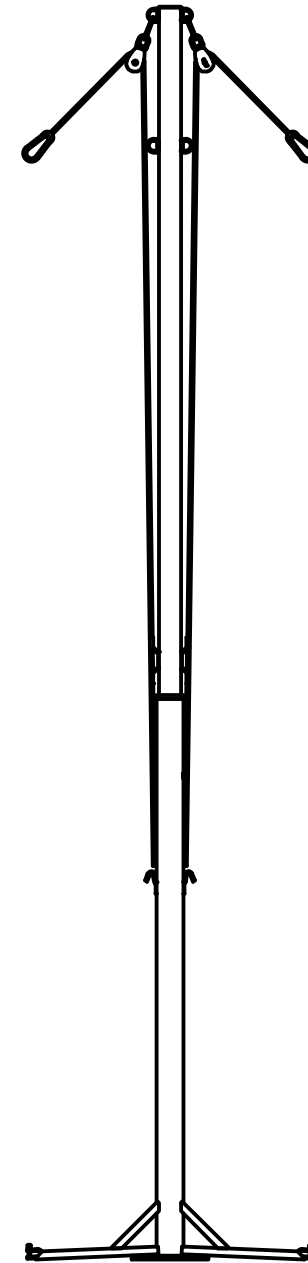
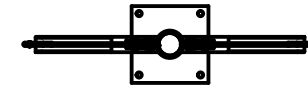
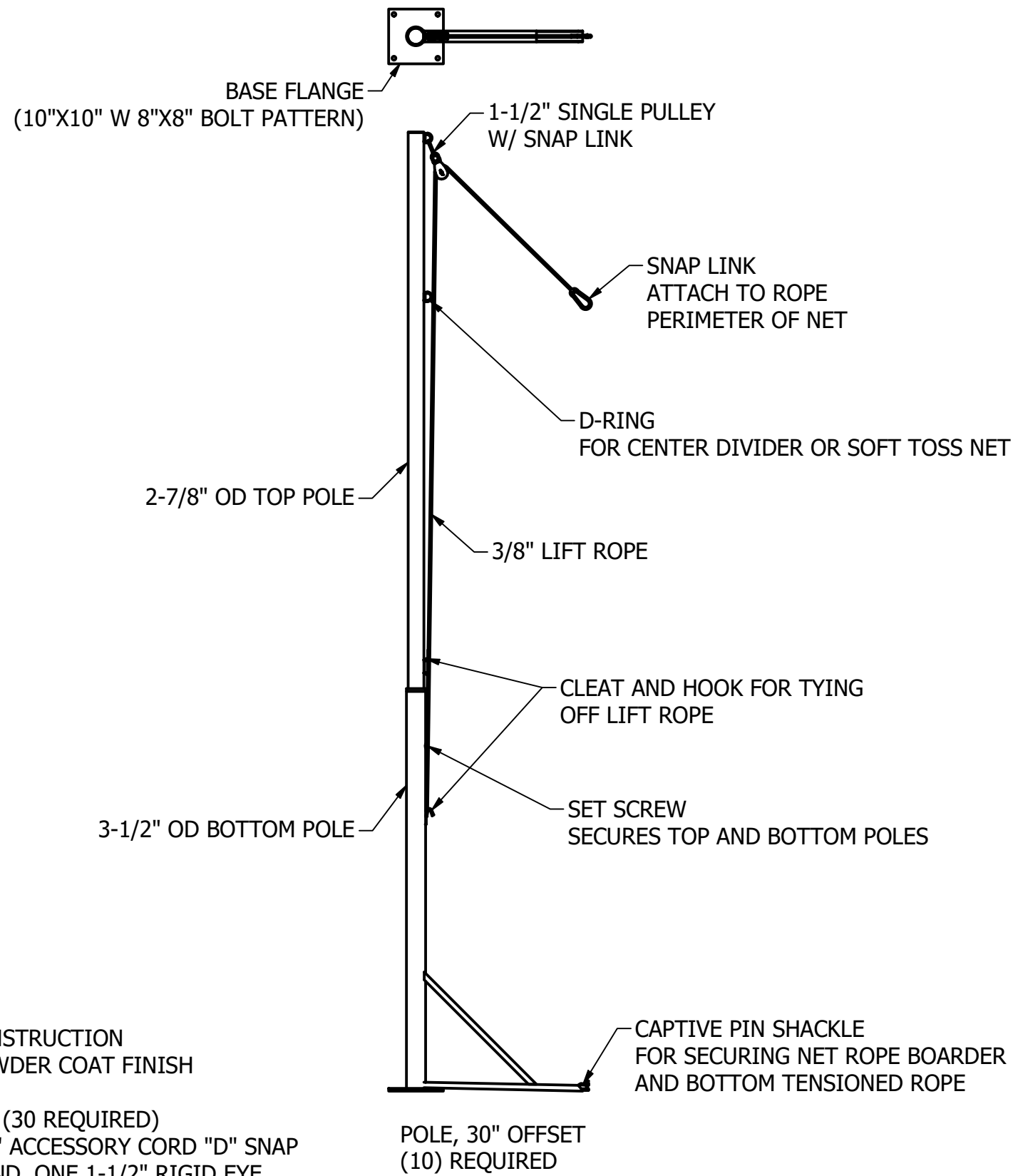
GRAND SLAM SAFETY
WWW.GRANDSLAMSAFETY.COM
SPECTO® SPORT FENCING SOLUTIONS
Grand Slam Safety, LLC - 9793 Bridge Street - Croghan, NY 13327
Tel: 315-301-4030 Fax: 315-301-4031

BC203 TRIPLE 70x14x12
BATTING CAGE SYSTEM
DETAILS

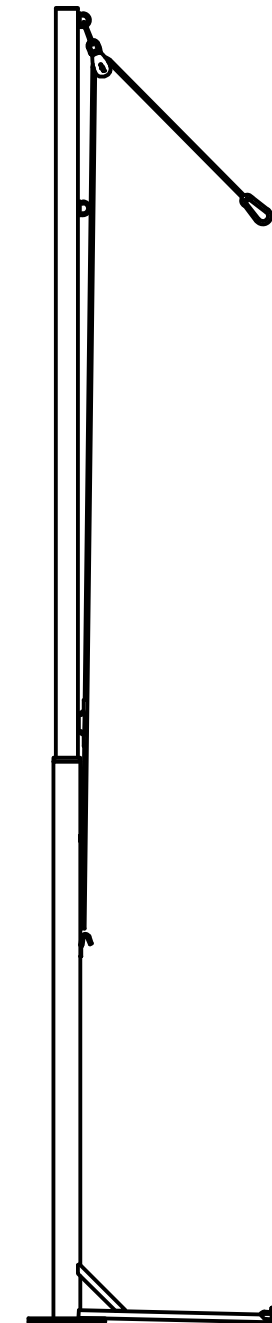
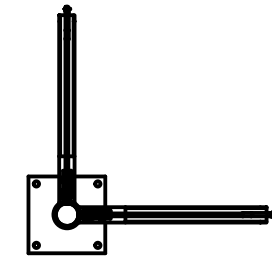
REV:

REINFORCED CONCRETE SLAB BY OTHERS WITH THICKENED PERIMETER AND THICKENED AREAS AROUND CENTER POLE LOCATIONS

GENERAL POLE DETAILS



POLE, CENTER
(6) REQUIRED



POLE, CENTER ENDS
(4) REQUIRED

NOTES:

STEEL CONSTRUCTION
BLACK POWDER COAT FINISH

LIFT ROPE (30 REQUIRED)
22' OF 3/8" ACCESSORY CORD "D" SNAP
ON ONE END, ONE 1-1/2" RIGID EYE
PULLEY, 2" OPEN LOOP ON OTHER END.
PUT "B" SNAP ON PULLEY.

THIS PRINT IS THE PROPERTY OF
GRAND SLAM SAFETY LLC AND MAY
NOT BE REPRODUCED WITHOUT
WRITTEN PERMISSION

**GRAND SLAM
SAFETY**
WWW.GRANDSLAMSAFETY.COM

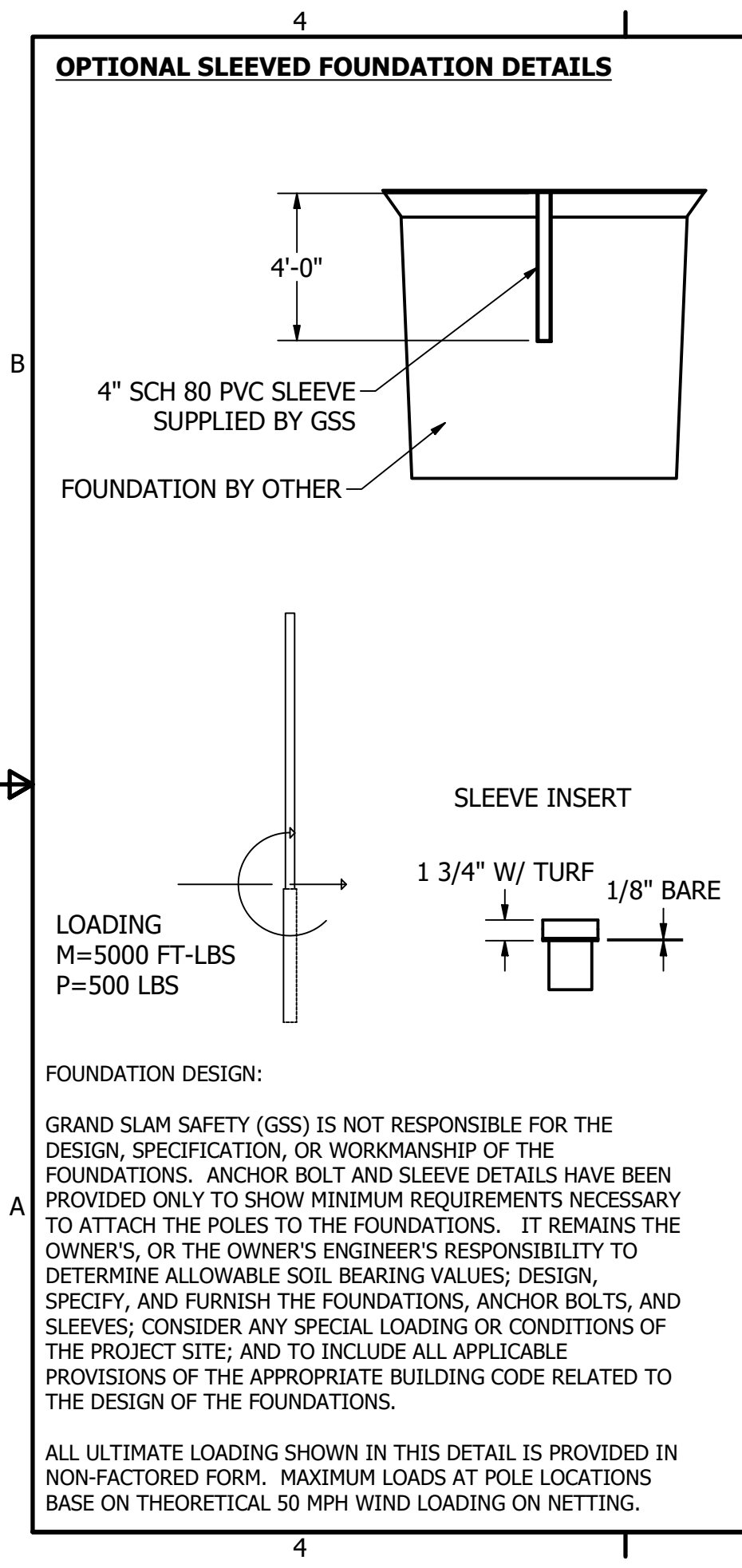
SPECTO® SPORT FENCING SOLUTIONS
Grand Slam Safety, LLC - 9793 Bridge Street - Croghan, NY 13327
Tel: 315-301-4030 Fax: 315-301-4031

BC203 TRIPLE 70x14x12
BATTING CAGE SYSTEM
DETAILS

REV:

SHEET: 3 OF 8

OPTIONAL SLEEVED FOUNDATION DETAILS

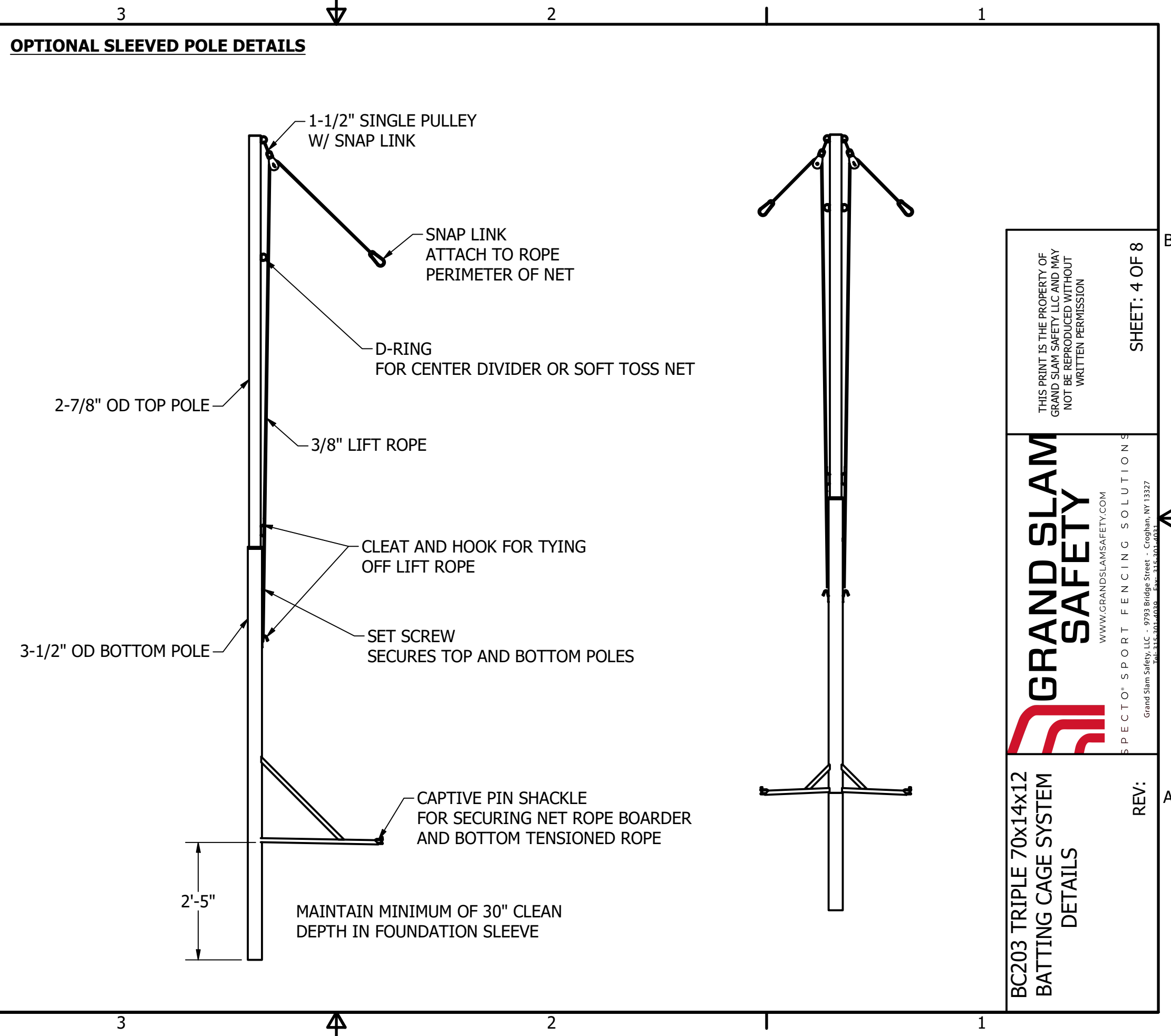


FOUNDATION DESIGN:

GRAND SLAM SAFETY (GSS) IS NOT RESPONSIBLE FOR THE DESIGN, SPECIFICATION, OR WORKMANSHIP OF THE FOUNDATIONS. ANCHOR BOLT AND SLEEVE DETAILS HAVE BEEN PROVIDED ONLY TO SHOW MINIMUM REQUIREMENTS NECESSARY TO ATTACH THE POLES TO THE FOUNDATIONS. IT REMAINS THE OWNER'S, OR THE OWNER'S ENGINEER'S RESPONSIBILITY TO DETERMINE ALLOWABLE SOIL BEARING VALUES; DESIGN, SPECIFY, AND FURNISH THE FOUNDATIONS, ANCHOR BOLTS, AND SLEEVES; CONSIDER ANY SPECIAL LOADING OR CONDITIONS OF THE PROJECT SITE; AND TO INCLUDE ALL APPLICABLE PROVISIONS OF THE APPROPRIATE BUILDING CODE RELATED TO THE DESIGN OF THE FOUNDATIONS.

ALL ULTIMATE LOADING SHOWN IN THIS DETAIL IS PROVIDED IN NON-FACTORED FORM. MAXIMUM LOADS AT POLE LOCATIONS BASE ON THEORETICAL 50 MPH WIND LOADING ON NETTING.

OPTIONAL SLEEVED POLE DETAILS



THIS PRINT IS THE PROPERTY OF GRAND SLAM SAFETY LLC AND MAY NOT BE REPRODUCED WITHOUT WRITTEN PERMISSION

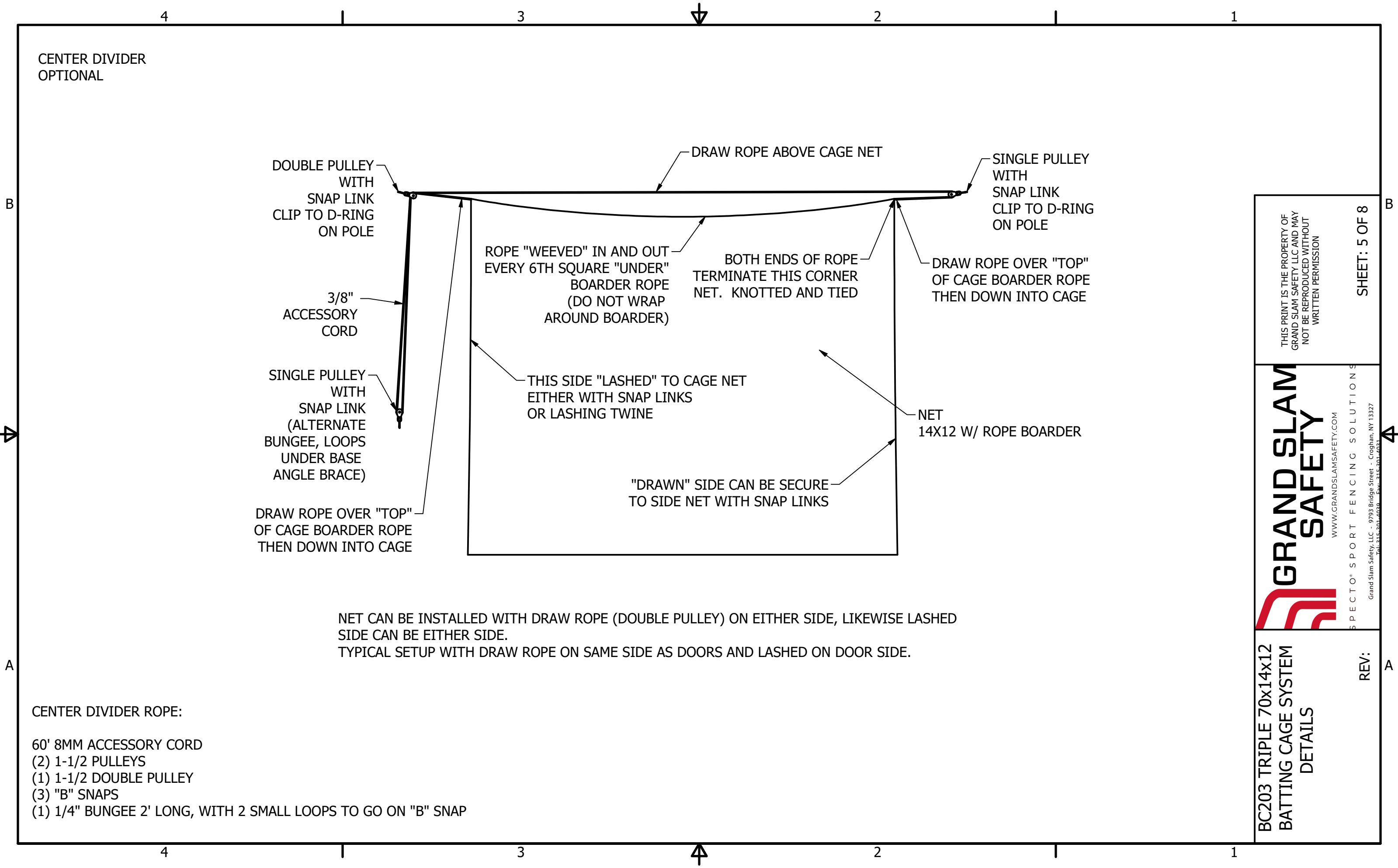
GRAND SLAM SAFETY
WWW.GRANDSLAMSAFETY.COM

SPECTO® SPORT FENCING SOLUTIONS
Grand Slam Safety, LLC - 9793 Bridge Street - Croghan, NY 13327
Tel: 315-301-4030 Fax: 315-301-4031

BC203 TRIPLE 70x14x12 BATTING CAGE SYSTEM DETAILS

REV:

SHEET: 4 OF 8



THIS PRINT IS THE PROPERTY OF GRAND SLAM SAFETY LLC AND MAY NOT BE REPRODUCED WITHOUT WRITTEN PERMISSION

SHEET: 5 OF 8

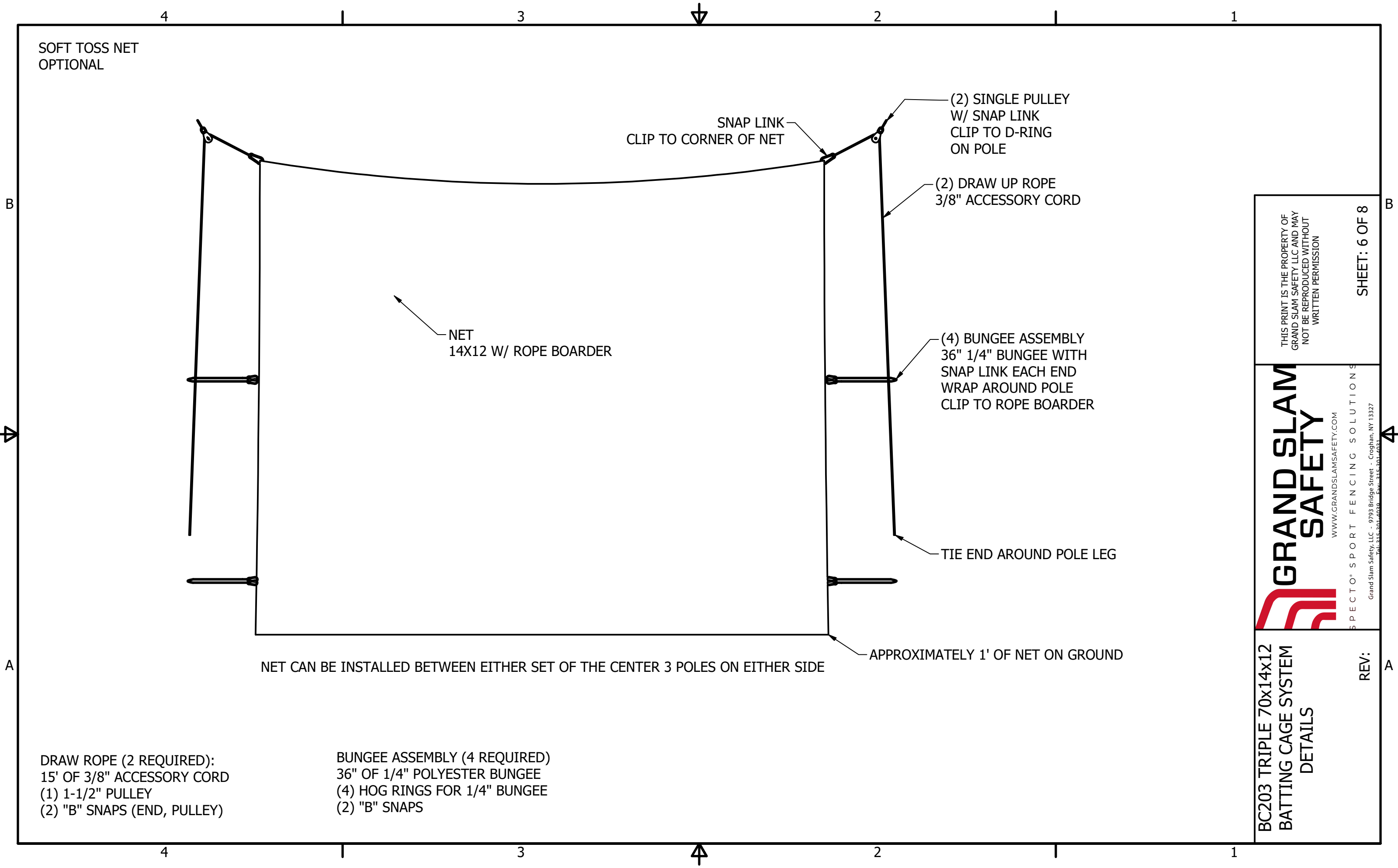
GRAND SLAM SAFETY
WWW.GRANDSLAMSAFETY.COM

SPECTO® SPORT FENCING SOLUTIONS

Grand Slam Safety, LLC - 9793 Bridge Street - Croghan, NY 13327
Tel: 315-301-4030 Fax: 315-301-4031

BC203 TRIPLE 70x14x12 BATTING CAGE SYSTEM DETAILS

REV:



SOFT TOSS NET
OPTIONAL

SNAP LINK
CLIP TO CORNER OF NET

(2) SINGLE PULLEY
W/ SNAP LINK
CLIP TO D-RING
ON POLE

(2) DRAW UP ROPE
3/8" ACCESSORY CORD

NET
14X12 W/ ROPE BOARDER

(4) BUNGEE ASSEMBLY
36" 1/4" BUNGEE WITH
SNAP LINK EACH END
WRAP AROUND POLE
CLIP TO ROPE BOARDER

TIE END AROUND POLE LEG

APPROXIMATELY 1' OF NET ON GROUND

NET CAN BE INSTALLED BETWEEN EITHER SET OF THE CENTER 3 POLES ON EITHER SIDE

DRAW ROPE (2 REQUIRED):
15' OF 3/8" ACCESSORY CORD
(1) 1-1/2" PULLEY
(2) "B" SNAPS (END, PULLEY)

BUNGEE ASSEMBLY (4 REQUIRED)
36" OF 1/4" POLYESTER BUNGEE
(4) HOG RINGS FOR 1/4" BUNGEE
(2) "B" SNAPS

THIS PRINT IS THE PROPERTY OF
GRAND SLAM SAFETY LLC AND MAY
NOT BE REPRODUCED WITHOUT
WRITTEN PERMISSION

SHEET: 6 OF 8



SPECTO® SPORT FENCING SOLUTIONS

Grand Slam Safety, LLC - 9793 Bridge Street - Croghan, NY 13327
Tel: 315-301-4030 Fax: 315-301-4031

BC203 TRIPLE 70x14x12
BATTING CAGE SYSTEM
DETAILS

REV:

BACK DROP
OPTIONAL

#4 ROLLED RIM GROMMETS
Ø9/16" DIAMETER
EACH CORNER AND 12" SPACING ALONG TOP

SELECTION:

MATERIAL:

18 OZ VINYL BLACK BLUE GREEN YELLOW RED
OR

8 OZ MESH BLACK BLUE GREEN YELLOW RED)
(DOUBLE LAYER)

HEIGHT: _____ FT _____ INCH

WIDTH: _____ FT _____ INCH

(NOTE: HEIGHT OR WIDTH MUST BE LESS 4'-4" IF NO SEAMS ARE DESIRED)

OPTIONAL:
STRIKE ZONE
1" WHITE PERIMETER AND CROSS LINES

SPECIFY SIZE 17" WIDE X (SZH): _____

| PLAYER HEIGHT | SZH (STRIKE ZONE HEIGHT) |
|---------------|--------------------------|
| 6'-6" | 31 3/4" |
| 6'-0" | 29 1/2" |
| 5'-6" | 27 1/2" |
| 5'-0" | 25 1/2" |
| CUSTOM | |

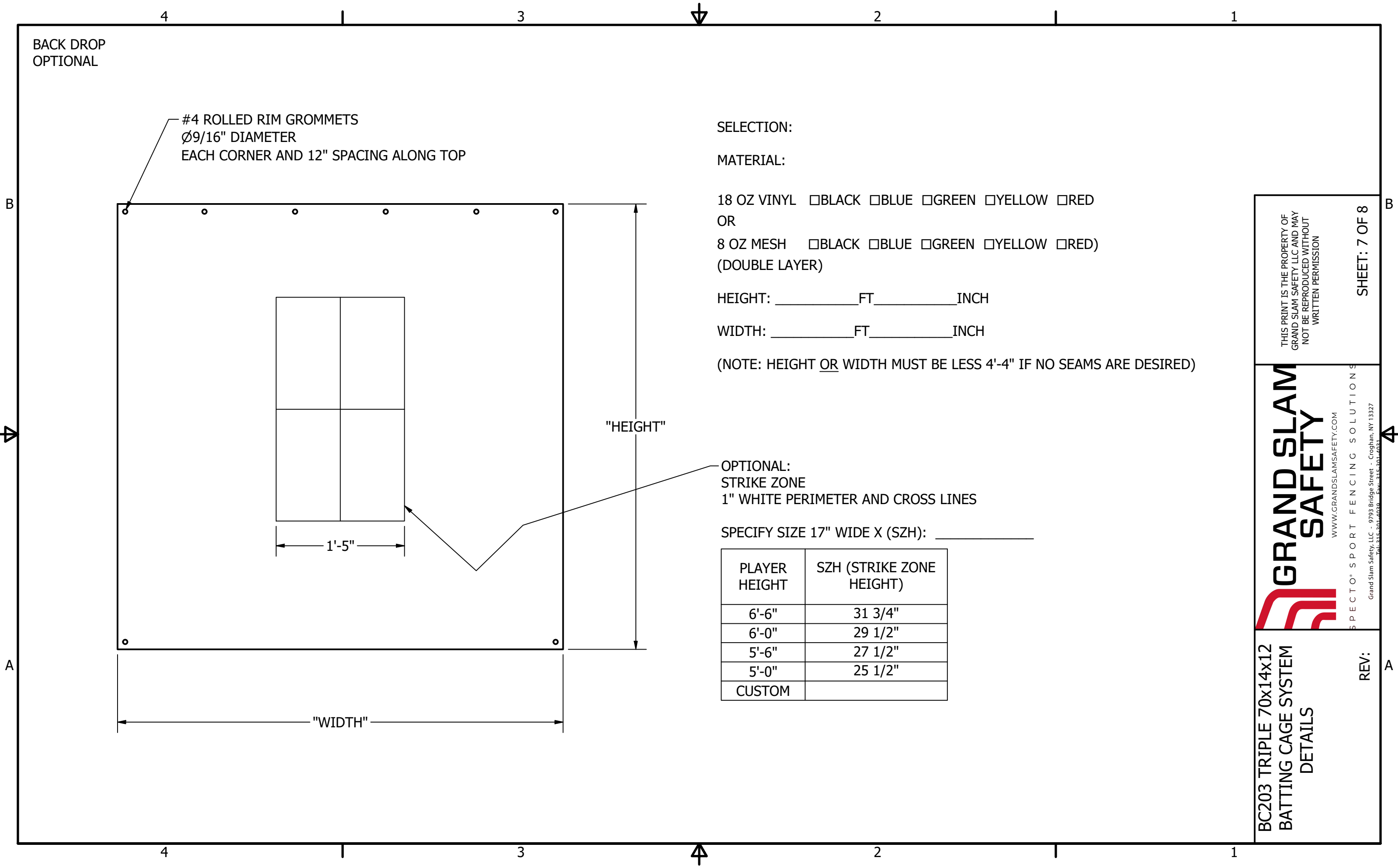
THIS PRINT IS THE PROPERTY OF
 GRAND SLAM SAFETY LLC AND MAY
 NOT BE REPRODUCED WITHOUT
 WRITTEN PERMISSION

GRAND SLAM SAFETY
 WWW.GRANDSLAMSAFETY.COM
 SPECTO® SPORT FENCING SOLUTIONS
 Grand Slam Safety, LLC - 9793 Bridge Street - Croghan, NY 13327
 Tel: 315-301-4030 Fax: 315-301-4031

BC203 TRIPLE 70x14x12
 BATTING CAGE SYSTEM
 DETAILS

REV: _____

SHEET: 7 OF 8



INSTALLATION:

1. UNPACK - VERIFY CONTENTS
2. LAYOUT POLES, INSTALL BASES TO SLAB PER LAYOUT
3. ATTACH ROPES AND HARDWARE TO POLE TOPS
4. INSTALL POLE TOPS, INSERT AND SNUG SET SCREWS
5. LAYOUT NET, PAY ATTENTION TO DOOR POSITION - ORIENT DOORS TO SIDE DESIRED
6. CLIP LIFT ROPES TO NET
7. PULL NET UP, WORKING ROPES EVENLY, IT MAY BE NECESSARY TO WORK IN 4' INCREMENTS, LEAVING 1' ON GROUND.
(NOTE: WHEN NET IS APPROX 6' OFF GROUND, INSTALL CENTER DIVIDER IF NOT SUPPLIED INSTALLED)
8. INSTALL BOTTOM ROPES AND TENSIONERS: START LEFT OF DOOR, TIE A SLIP KNOT AND PUT IN CORNER SHACKLE, WEAVE BACK AND FORTH THRU NET ABOVE THE BOTTOM ROPE BOARDER, STARTING IN CORNER, ~12' INCREMENTS, WORKING IN A "U" ALONG LONG SIDE, ACROSS END, AND BACK TO OTHER CORNER. INSTALL ONE END OF TENSIONER ON SHACKLE, RUN ROPE THRU SUCH THAT WHEN PULLED IT MAINTIANS TENSION (LEAVE LOOSE).
9. INSTALL BOTTOM NET BOARDER AND BOTTOM ROPE IN SHACKLES, SNUG SHACKLE SCREWS
10. PULL BOTTOM ROPE TIGHT THRU TENSIONERS (IT MAY BE NECESSARY TO CUT EXCESS ROPE OFF - LEAVE 2-3', WEAVE THRU NET)
11. FINISH PULLING UP NET UNTIL SIDES ARE SNUG.
12. SECURE ALL ROPES TO CLEATS.
13. SECURE BOTTOM CENTER DIVIDER PULLEY TO BOTTOM J-HOOK OR ANGLE BRACKET.

BC203 TRIPLE 70x14x12
BATTING CAGE SYSTEM
DETAILS

REV:



SPECTO® SPORT FENCING SOLUTIONS

Grand Slam Safety, LLC - 9793 Bridge Street - Croghan, NY 13327
Tel: 315-301-4030 Fax: 315-301-4031

THIS PRINT IS THE PROPERTY OF
GRAND SLAM SAFETY LLC AND MAY
NOT BE REPRODUCED WITHOUT
WRITTEN PERMISSION

SHEET: 8 OF 8